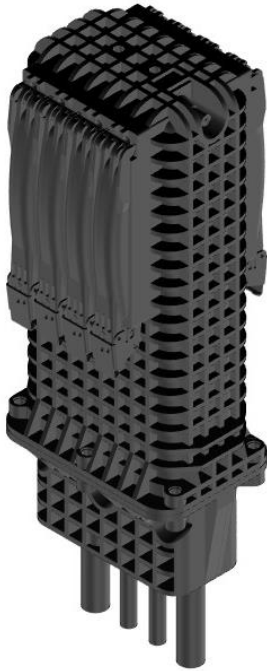




A Furukawa Company

Mid-Span Clamshell Hardened Terminal (M-CHT)

Reliable and Versatile Hardened Connectivity for Mid-Span Applications



Features

- Standard SCA fiber connectors; other connector types available upon request
- Each connector protected in a hardened chamber with reliable clasp latching
- Compatible with commonly used drop cables
- Separately sealed compartment for feeder cable storage, splicing, and optical components
- Four cable entry/exit ports for feeder and branch cables
- Single fiber and ribbon splicing options
- Suitable for housing Splitters
- Holds up to 7' of buffer tube slack for a 144F cable
- Compatible with Rollable Ribbon, Flat Ribbon, or loose tube cables
- Equipped with four or eight drop cable ports
- Pole, strand, wall, pedestal, handhole/ manhole mountable
- Compliant with GR771 and IEC 60529 (IP68 to 3 meters)

Benefits

- One minute easy process to connect a drop cable
- Hardened connectivity with standard non-proprietary connectors
- Plug and play drop cable connections with no field splicing
- Mid-span design cable branching and drop cable functionality
- Reliable customer connections without disturbing the splicing area
- Standard drop cables and non-proprietary connectors improve availability
- Easier inventory management
- Versatile use in FTTx networks, 5G, or outside plant environments

Product Description

The Mid-Span Clamshell Hardened Terminal offers hardened connectivity without the need for hardened connectors. The clamshell design provides IP68 protection for each individual connection while enabling fast, easy, and secure optical drop cable deployment. The design can be installed in the middle of a cable span and is available in 4 port and 8 port versions with a variety of mounting options.

Applications

- Telecommunications & Data Communications Networks
- FTTH, FTTA and MDUs
- Ideal for 5G, Small Cell, Rural, and DAS Networks
- Aerial, pole-mounted, or below-grade installations

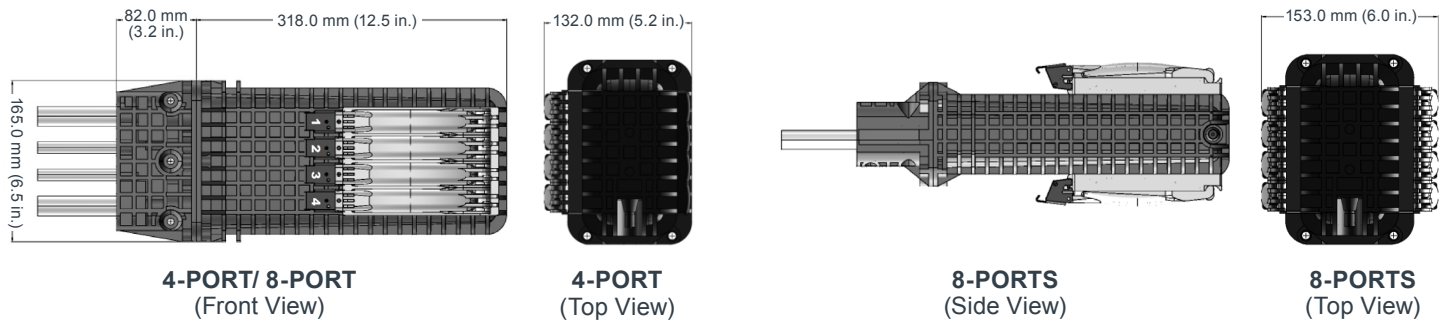


A Furukawa Company

Mid-Span Clamshell Hardened Terminal (M-CHT)

Performance Characteristics	
Parameter	Specification
Cable Entry/Exit Ports	Feeder (x2): 20 mm Maximum Diameter Branch (x2): 12 mm Diameter
Connectorized Drop Ports	4-Ports or 8-Ports
Adapter Type(s)	SC-APC
Splice Capacity	Up to 48 single fiber (loose-tube) splices Up to 12 mass fusion (ribbon) splices
Outer Dimensions	4-Ports: 15.7" x 6.5" x 6.0" 8-Ports: 15.7" x 6.5" x 5.2"
Operating Temperature	-40 °C to +70 °C
Mounting Options	Pole/Wall, Strand, Pedestal, Handhole
Color	Black, UV Rated
Functional Options	Loose-tube and Ribbon Splice, 1xN PLC Splitter, Pre-Stubbed Feeder
Standards	GR-771 and IEC 60529 (IP68)

Product Dimensions



Mid-Span Clamshell Hardened Terminal Ordering Information			
Comcode	Item	Specification	Drop Port Count
301174165	TERMINAL,M-CHT-W-SCA-004-PT	MCHT Rural Closure - SCA pigtails	4
301174173	TERMINAL,M-CHT-W-SCA-008-PT	MCHT Rural Closure - SCA pigtails	8
301174181	TERMINAL,M-CHT-STRAND MOUNT-004-HARDWARE	Strand mount hardware - MCHT	4
301174199	TERMINAL,M-CHT-POLE MOUNT-004-HARDWARE	Pole mount hardware - MCHT	4
301174207	TERMINAL,M-CHT-STRAND MOUNT-008-HARDWARE	Strand mount hardware - MCHT	8
301174215	TERMINAL,M-CHT-POLE MOUNT-008-HARDWARE	Pole mount hardware - MCHT	8

For additional information please contact your sales representative.

You can also visit our website at www.ofsoptics.com or call 1-888-fiberhelp (1-888-342-3743) USA or 1-770-798-5555 outside the USA.



Copyright © 2022 OFS Fitel, LLC.
All rights reserved, printed in USA.

OFS Marketing Communications
DOC ID: fap-418 Date: 08/22

For a full list of our certifications, visit our website.



OFS reserves the right to make changes to the prices and product(s) described in this document at any time without notice. This document is for informational purposes only and is not intended to modify or supplement any OFS warranties or specifications relating to any of its products or services.