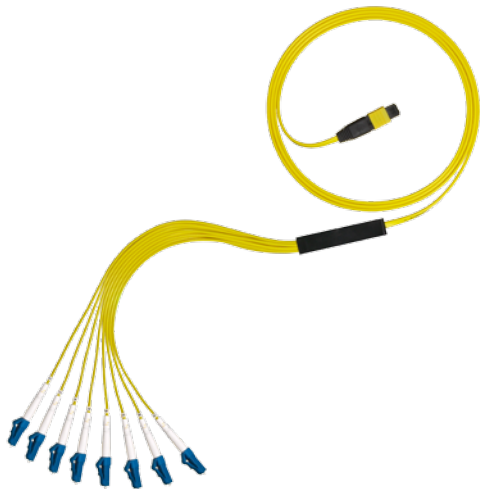




A Furukawa Company

AllWave® FLEX Zero Water Peak Fanouts

A high-performance, high density solution for FTTx deployments



AllWave® FLEX Zero Water Peak Fanouts

Features

- Up to 5 times lower bending loss than CSMF fanouts or patchcords
- Great performance and easy-of-management in cabinets or other patch panel systems
- OFS' AllWave FLEX Fiber complies with ITU G.652D specifications

Product Description

The AllWave® FLEX Fanouts enable superior optical performance and high density connectivity in any FTTx network deployment. Configured with OFS' low loss MPO connector, the AllWave FLEX Fanouts provide excellent loss performance and bend radius insensitivity.

AllWave FLEX Fanouts feature AllWave FLEX Zero Water Peak (ZWP) Fiber which offers as much as five times lower bending loss than Convention Single-Mode Fiber (CSMF) jumpers on the market today.

In FTTx deployments, bends occur in a variety of locations where they can greatly impact the network performance. Consequently bend insensitivity becomes a key performance parameter, especially in areas where handling and routing of fiber paths are necessary. As data rates and distances increase and power budgets tighten, it is imperative that all optical components minimize signal loss to support present and future applications. AllWave FLEX Fanouts are ideal for integration into smaller field cabinet designs and other space limited routing architectures. They are available in both 8 and 12 fiber MPO connectors on bare ribbon, tight-buffered ribbon and cordage, and include standard connectors on the opposite end.

Applications

- FTTx, Hybrid Fiber Coaxial (HFC), and all other optical access networks
- MPO splitter modules in Outside Plant Cabinets
- General broadband CATV networks

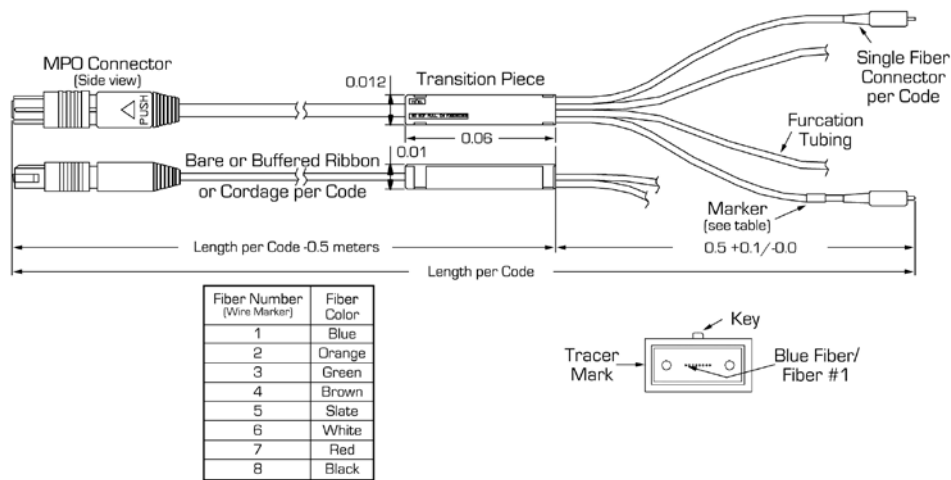


A Furukawa Company

AllWave® FLEX Zero Water Peak Fanouts

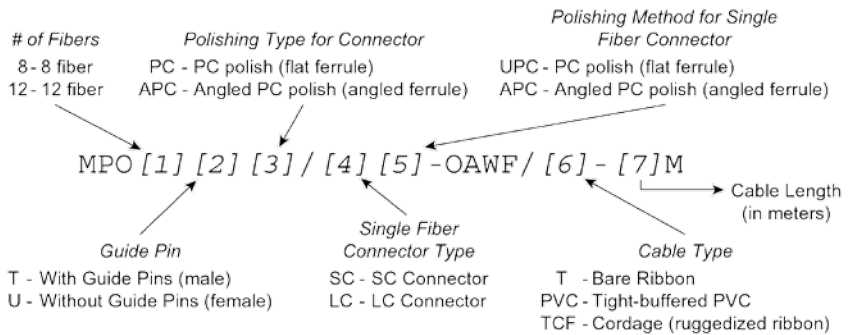
AllWave FLEX Fanout Specifications

Connector Type	Ferrule/Polish	Loss (Typical)	Loss (Max)	Return Loss (Min)
MPO	Single-Mode Low Loss 8-Fiber APC	0.16 dB	0.35 dB	55 dB
Single Fiber	Single-Mode UPC	0.20 dB	0.50 dB	50 dB
Single Fiber	Single-Mode APC	0.30 dB	0.50 dB	50 dB



AllWave FLEX Fanout Ordering Scheme

Example: MPO8TAPC/LCAPC-OAWF/TCF-3M



For additional information please contact your sales representative. You can also visit our website at www.ofsoptics.com or call 1-888-fiberhelp (1-888-342-3743) USA or 1-770-798-5555 outside the USA.



Copyright © 2017 OFS Fitel, LLC. All rights reserved, printed in USA.

OFS Marketing Communications
DOC: fap-146 Date: 07/17



AllWave is a registered trademark of OFS Fitel, LLC. OFS reserves the right to make changes to the prices and product(s) described in this document at any time without notice. This document is for informational purposes only and is not intended to modify or supplement any OFS warranties or specifications relating to any of its products or services.