



A Furukawa Company

64 Fiber Distribution Hub

Quick Service Restoration on Damaged Cables



Product Description

The 64 FDH utilizes OFS' popular 400A enclosure which is especially useful for tight spaces in MDU applications. It can house up to 4 Direct Connect splitters, available in either 1X8, 1X16, or 1X32 split ratios. The cabinet can be equipped with either SC APC or LC APC connectors.

Input and output fibers are connectorized and stored on the left hand side of the enclosure. The enclosure can be mounted directly to the wall or on a plywood board. Splice trays are available for pigtail splicing or connectorized cables can be used for distribution routing.

Physical Specifications:

Cabinet: 10" (25.4 cm) H x 17" (43 cm) W x 6" (15.2 cm) D

Splitter Capacity:

- 1x32: Up to 2
- 1x16: Up to 4
- 1x8: Up to 4
- Splice capacity: Up to 64
- "Parking lot" capacity: 32

Connector Specifications:

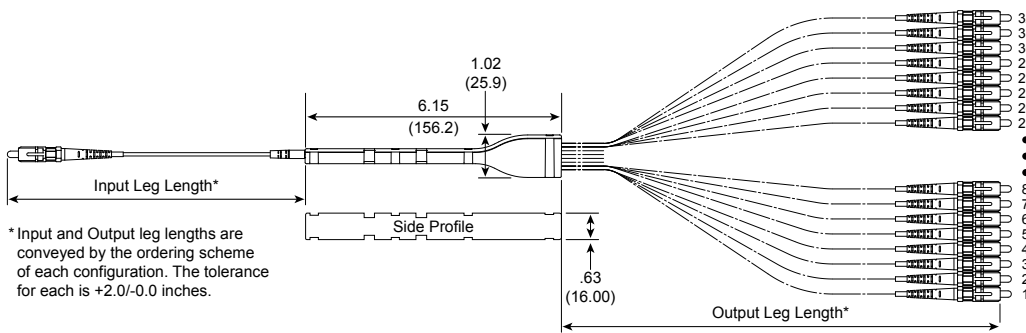
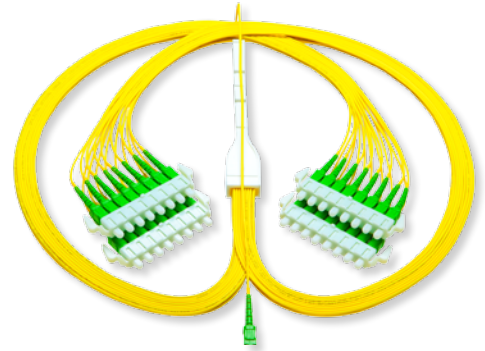
- Insertion Loss (max): 0.5 dB
- Return Loss (min): -65 dB for APC
-55 dB for UPC
- Mating Durability: 100 reconnects
- Operating Temp: -40 to 80 °C
- Storage Temp: -40 to 85 °C



A Furukawa Company

64 Fiber Distribution Hub

Splitter Module Specifications			
PLC Configuration	1 x 8	1 x 16	1 x 32
Operating Wavelength	1260 – 1650 nm		
Max. Insertion Loss (dB)	10.8	14.2	17.2
Max. Insertion Loss Uniformity (dB)	1.0	1.3	1.6
Max. Polarization Dependent Loss (dB)	0.3	0.3	0.3
Min. Return Loss (dB)	50	50	50
Min. Directivity (dB)	50	50	50
Operating temperature	-40 °C Max. 75 °C		
Storage temperature	-40 °C Max. 85 °C		



64 FDH Ordering Information	
Part Number	Comcode
WSC1S-070-41A2-WHT-SCAUNC-F	301103446
WSC1S-070-41A2-WHT-SCAUNC-F-PT	301103453
WSC1S-070-41A2-WHT-SCASCA-F-D2-1X32-PT	301103461
WSC1W-070-41A2-WHT-UNCSCA-F-D2-1X32-BAL	301102950

Splitter Standard Configurations	
Comcode	Description
301060323	D1-1X08-FULL-UNC/SCA-S-BAL-29/29U
301022372	D1-1X16-FULL-SCA/SCA-S-BAL-29/29U
301060331	D1-1X16-FULL-UNC/SCA-S-BAL-29/29U
301040101	D1-1X32-FULL-LCA/LCA-S-BAL-52/52U
301061578	D1-1X32-FULL-SCA/LCA-S-BAL-39/39U
300563715	D1-1X32-FULL-SCA/SCA-S-BAL-29/29U

Splice Kit Ordering Information		
Product Code	Description	Comcode
Splice Organizer	Single Fusion with Snap Latch	903 003 044

For additional information please contact your sales representative.
 You can also visit our website at www.ofsoptics.com or call 1-888-fiberhelp (1-888-342-3743) USA or 1-770-798-5555 outside the USA.



Copyright © 2017 OFS Fitel, LLC.
 All rights reserved, printed in USA.

OFS Marketing Communications
 DOC: fap-282 Date: 07/17



OFS reserves the right to make changes to the prices and product(s) described in this document at any time without notice. This document is for informational purposes only and is not intended to modify or supplement any OFS warranties or specifications relating to any of its products or services.